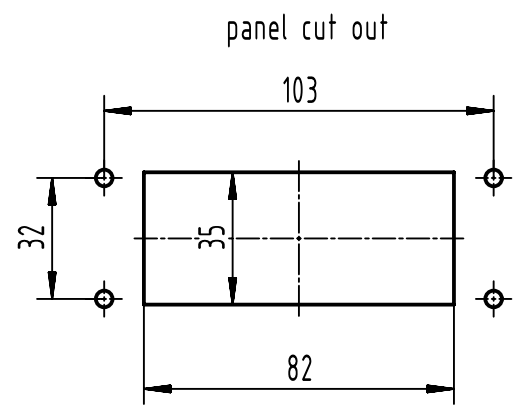
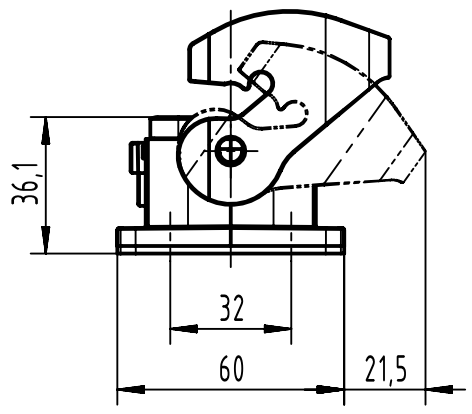
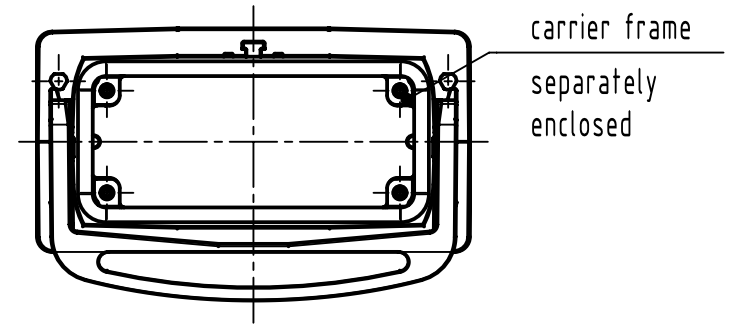


NBR seal

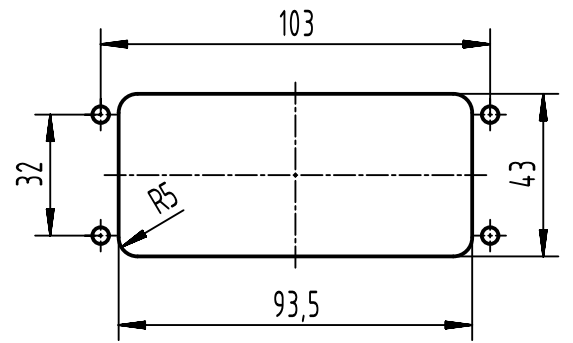
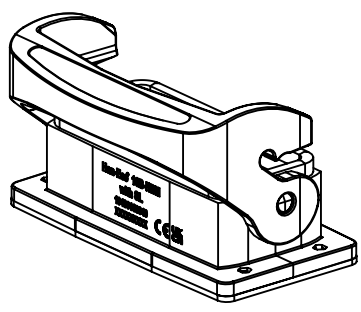
NBR gasket separately enclosed




panel cut out for assembly from the inner side of cabinet



carrier frame separately enclosed



	All rights reserved		Scale 1:2		Free size tol.		Ref.	
	Department EL PD		Created by SPRENB	Inspected by HERBRECHTSME	Standardisation		Date 2023-06-02	State Final Release
HARTING D-32339 Espelkamp			Title Han-Eco 16B-HBM-with SL				Doc-Key / ECM-Nr. 10073974.9/UGD/001/C 50000024.3573	
			Type TB	Number 19 43 016 0340			Rev. C	Page 1/1