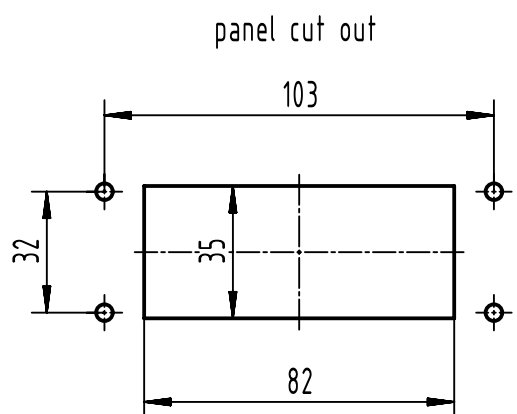
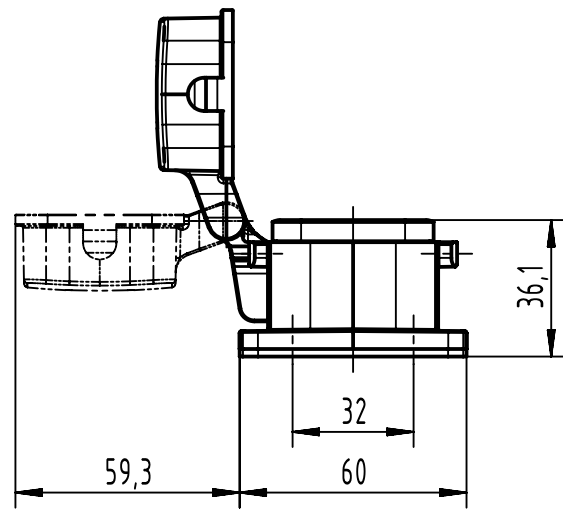
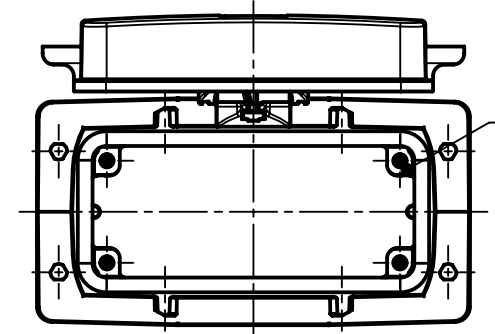


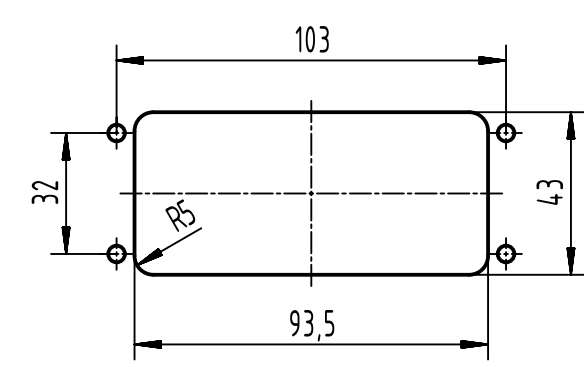
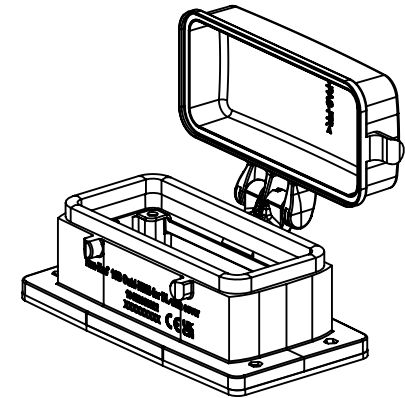
FKM seal
FKM gasket
separately
enclosed




panel cut out
for assembly from
the inner side of cabinet



carrier frame
separately
enclosed



	All rights reserved Department EL PD	All Dimensions in mm Original Size DIN A4		Scale 1:2	Free size tol.	Ref. Sub.	
		Created by SPRENB	Inspected by HERBRECHTSME	Standardisation	Date 2023-06-26	State Final Release	
HARTING D-32339 Espelkamp		Title Han-Eco 16B Outd-HBM-for DL with cover				Doc-Key / ECM-Nr. 100740066/UGD/001/E 500000244067	
		Type TB	Number 19 43 216 0322			Rev. E	Page 1/1