

ca.220

Han-Eco® Mod.16
19410165404
XXXXXXXXXX
Type 12 enclosure

26,8

57

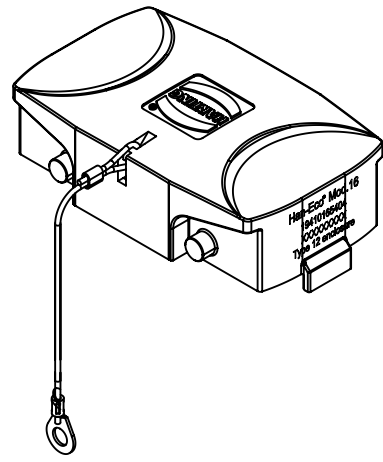
5


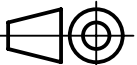
94

31,8

99

Ø5,3



	All rights reserved		Created by SPRENB		Inspected by BERGHORN	Standardisation SCHMIDTM	Date 2018-09-11	State Final Release
	Department EL PD		Title Han-Eco Mod.16-C-f. HBM/HSM-cord		Doc-Key / ECM-Nr. 100220592/UGD/002/D 500000138979		Rev. D Page 1/1	
HARTING Electric GmbH & Co. KG D-32339 Espelkamp			Type TB	Number 19 41 016 5404				
		All Dimensions in mm Original Size DIN A4		Scale 1:1	Free size tol.		Ref.	Sub.