

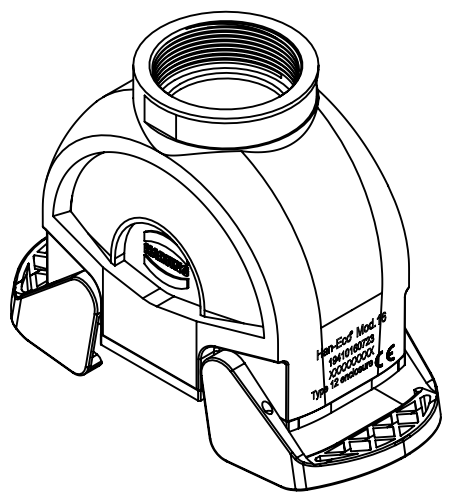
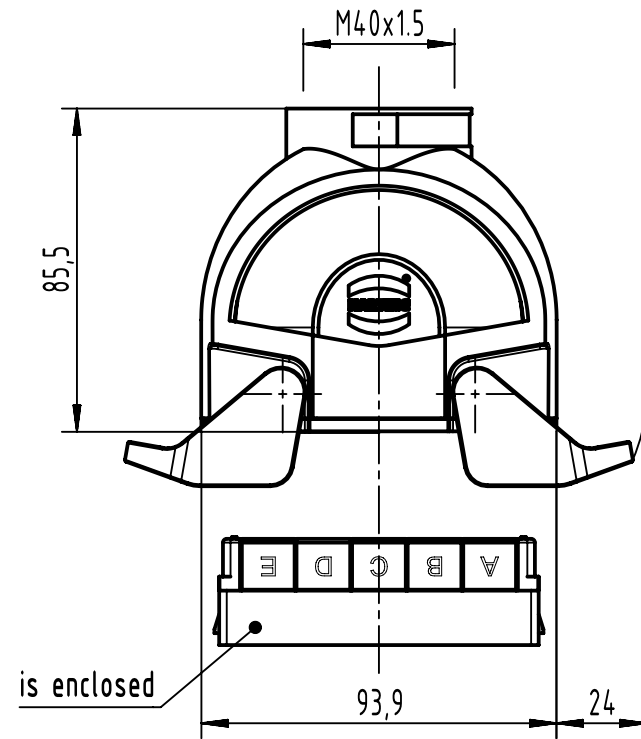
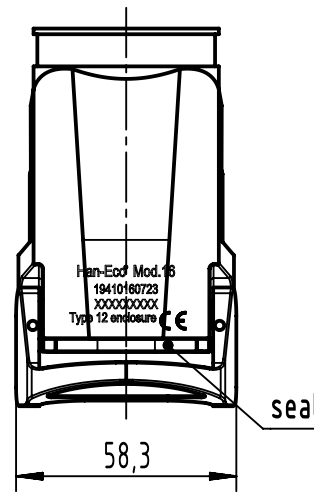
1 2 3 4 5 6

A

B

C

D



	All Dimensions in mm Original Size DIN A4		Scale 1:2	Free size tol.		Ref.		
						Sub.		
	All rights reserved		Created by 402918	Inspected by 402602	Standardisation 302077	Date 2021-02-19	State Final Release	
	Department EL PD		Title Han-Eco Mod.16-HCC-M40				Doc-Key / ECM-Nr. 100213388/UGD/009/B 500000189646	
HARTING D-32339 Espelkamp			Type TB	Number 19 41 016 0723			Rev. B	Page 1/1