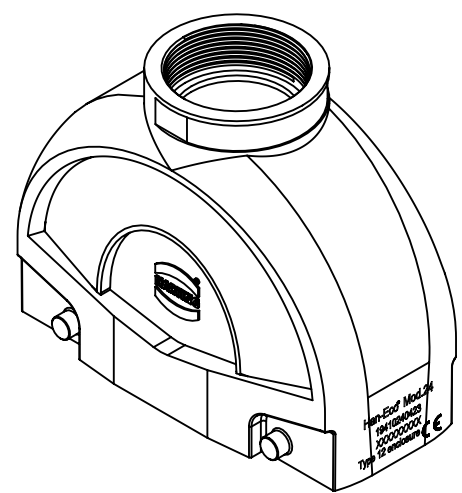
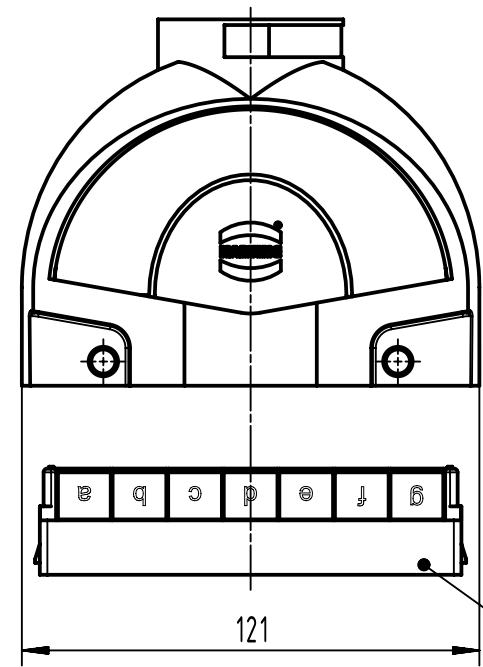
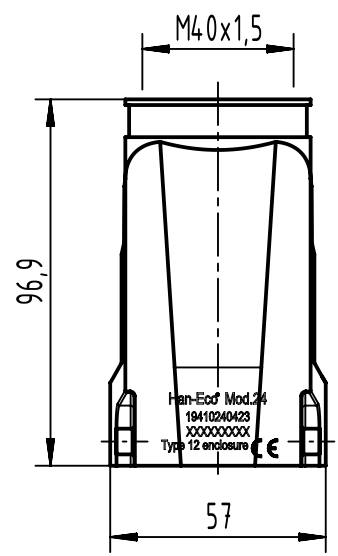



A

B

C

D



	All rights reserved		Created by BALSAN		Inspected by 402602		Standardisation 302077		Date 2021-02-22		State Final Release	
	Department EL PD		Title Han-Eco Mod.24-HTE-M40		Number 19 41 024 0423		Doc-Key / ECM-Nr. 100186828/UGD/006/C 500000189751		Rev. C		Page 1/1	
HARTING D-32339 Espelkamp			All Dimensions in mm Original Size DIN A4		Scale 1:2		Free size tol.		Ref. Sub.			