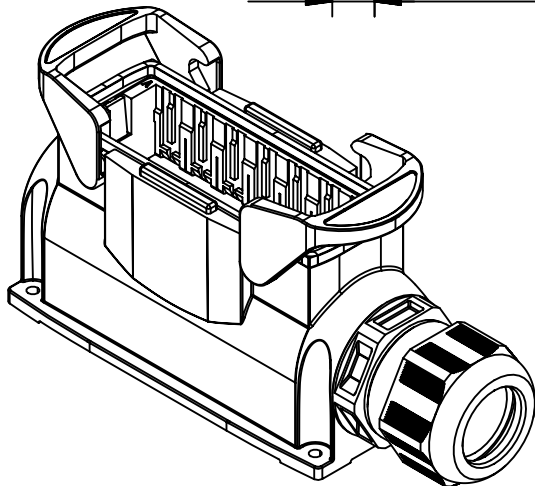
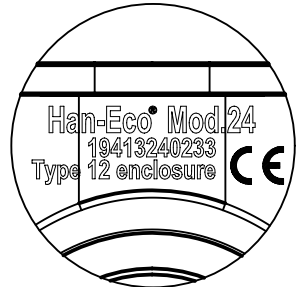
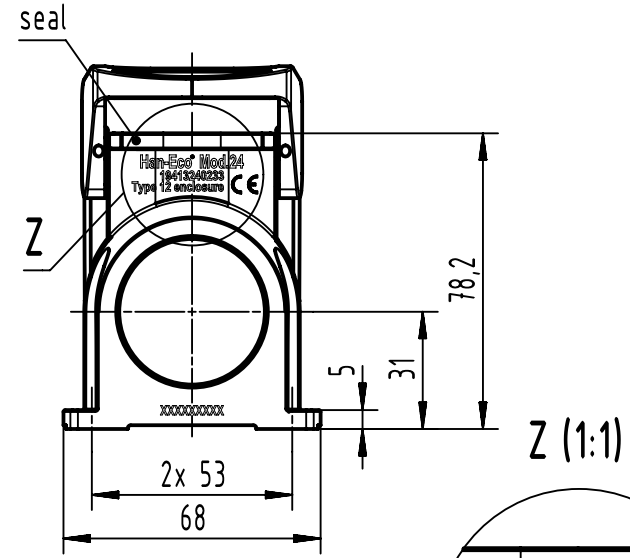
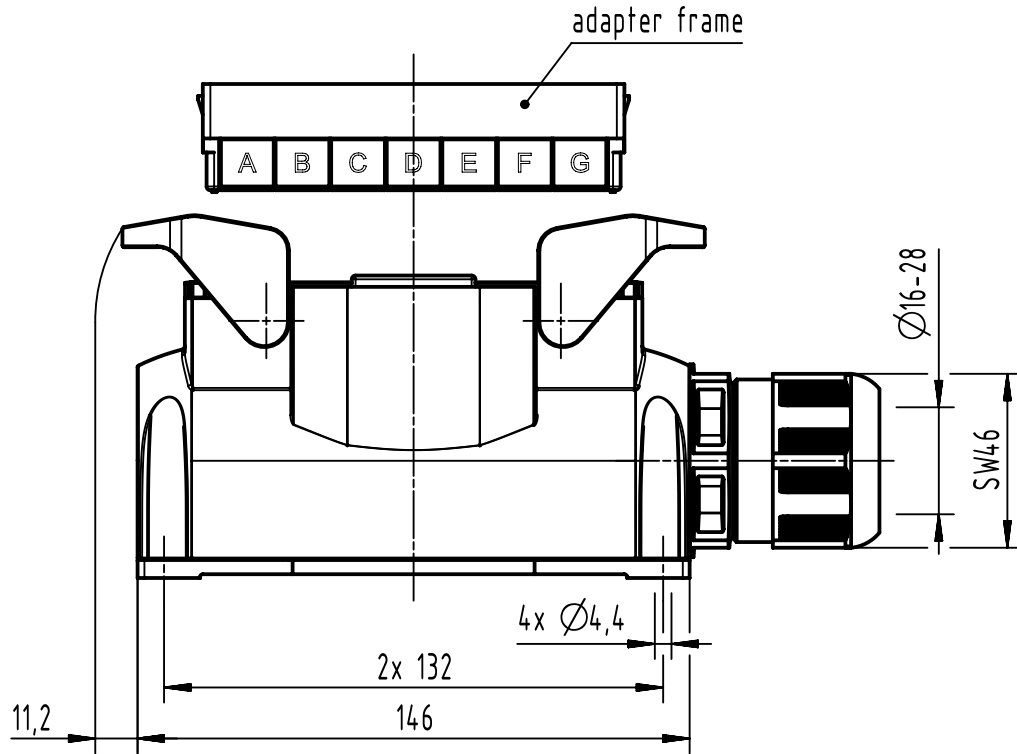


A

B

C

D



adapter frame and cable gland are enclosed

	All rights reserved Department EL PD	All Dimensions in mm Original Size DIN A4		Scale 1:2	Free size tol.	Ref.	
		Created by BALSAN	Inspected by 402602	Standardisation 302077	Date 2021-03-08	State Final Release	Sub.
HARTING D-32339 Espelkamp		Title Han-Eco Mod.24 Outd.-HSM1-M40-glanded				Doc-Key / ECM-Nr. 100222556/UGD/008/G 500000190676	
		Type TB	Number 19 41 324 0233			Rev. G	Page 1/1