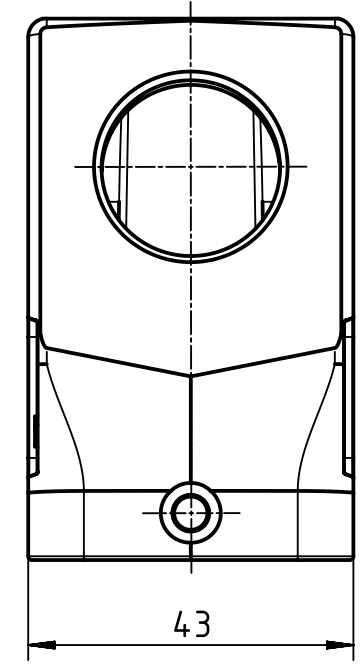
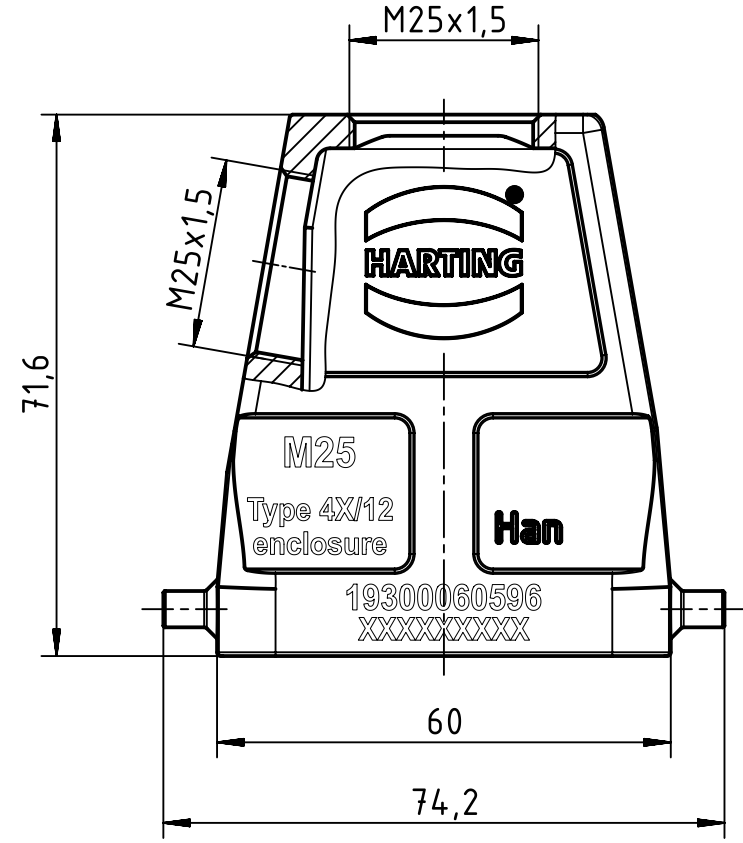
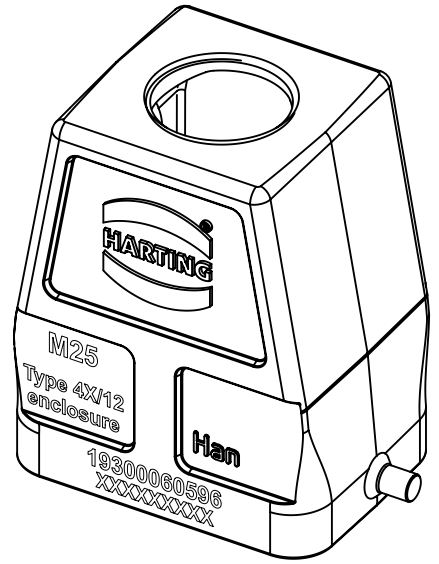


1 2 3 4 5 6

A
B
C
D



	All Dimensions in mm Original Size DIN A4		Scale 1:1	Free size tol.		Ref.
						Sub.
	All rights reserved		Created by SPRENB	Inspected by GERB	Standardisation TIEMANNA	Date 2018-12-05
	Department EL PD		Title Han 6B-HTE/HSE-M25			State Final Release
HARTING Electric GmbH & Co. KG D-32339 Espelkamp			Type TB	Number 19 30 006 0596		Doc-Key / ECM-Nr. 100736706/UGD/004/B 500000143788
					Rev. B	Page 1/1