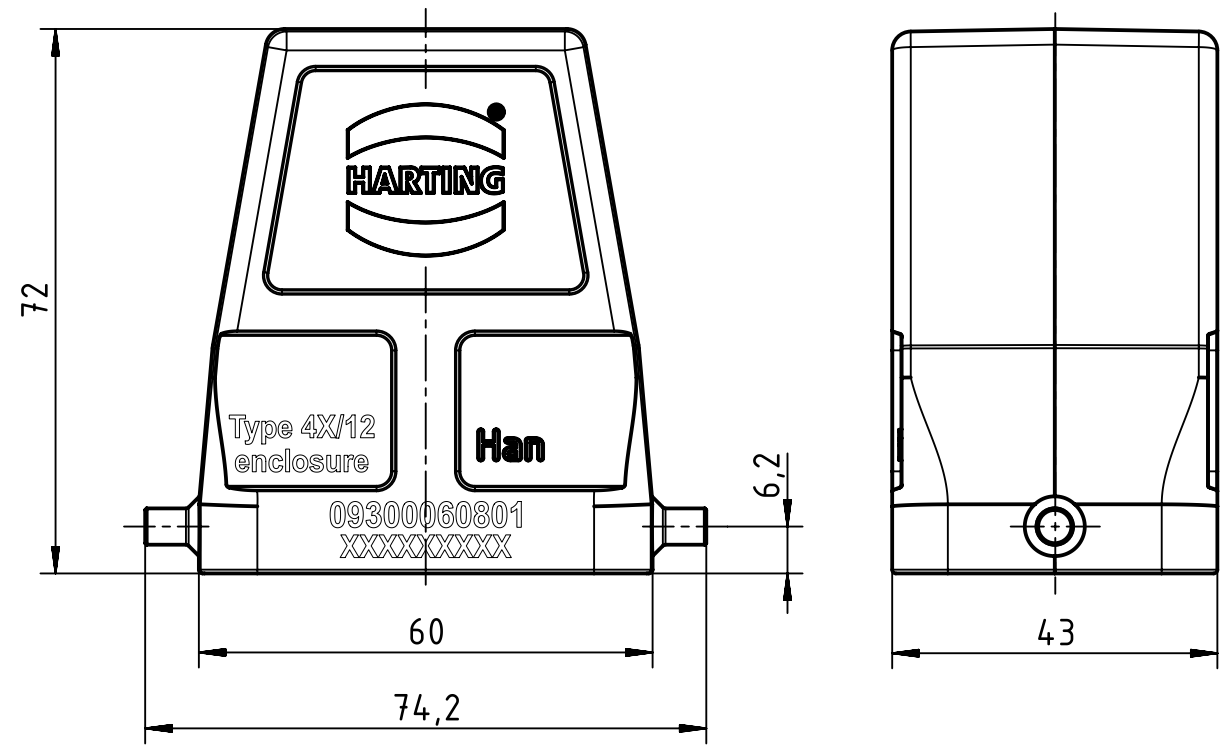
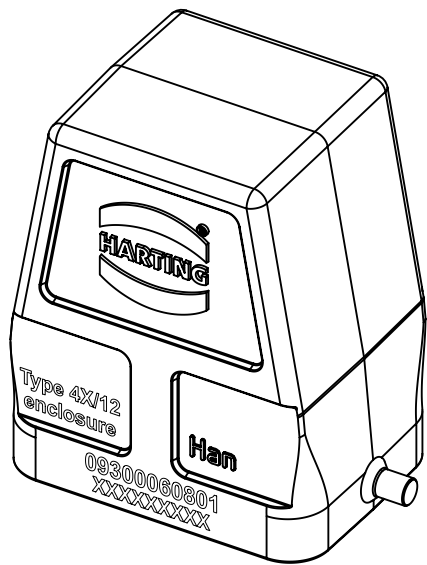


A

B

C

D



	All Dimensions in mm Original Size DIN A4		Scale 1:1	Free size tol.		Ref.		
						Sub.		
	All rights reserved		Created by SPRENB	Inspected by GERB	Standardisation TIEMANNA	Date 2018-12-05	State Final Release	
	Department EL PD		Title Han B Hood HC 2 Pegs without PG				Doc-Key / ECM-Nr. 100530702/UGD/006/C 500000143788	
HARTING Electric GmbH & Co. KG D-32339 Espelkamp			Type TB	Number 09 30 006 0801			Rev. C	Page 1/1