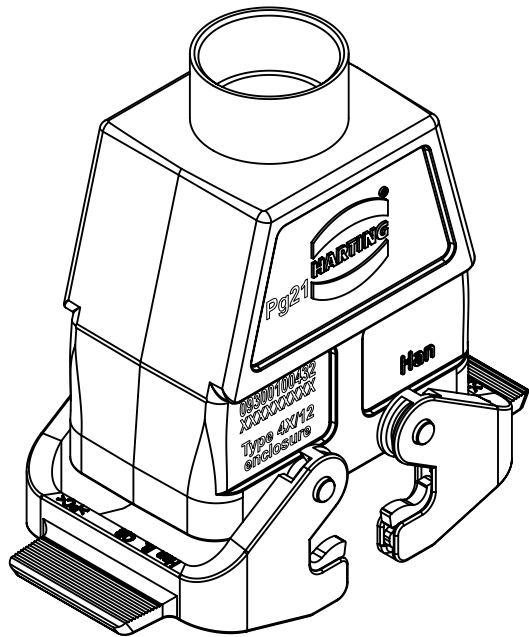
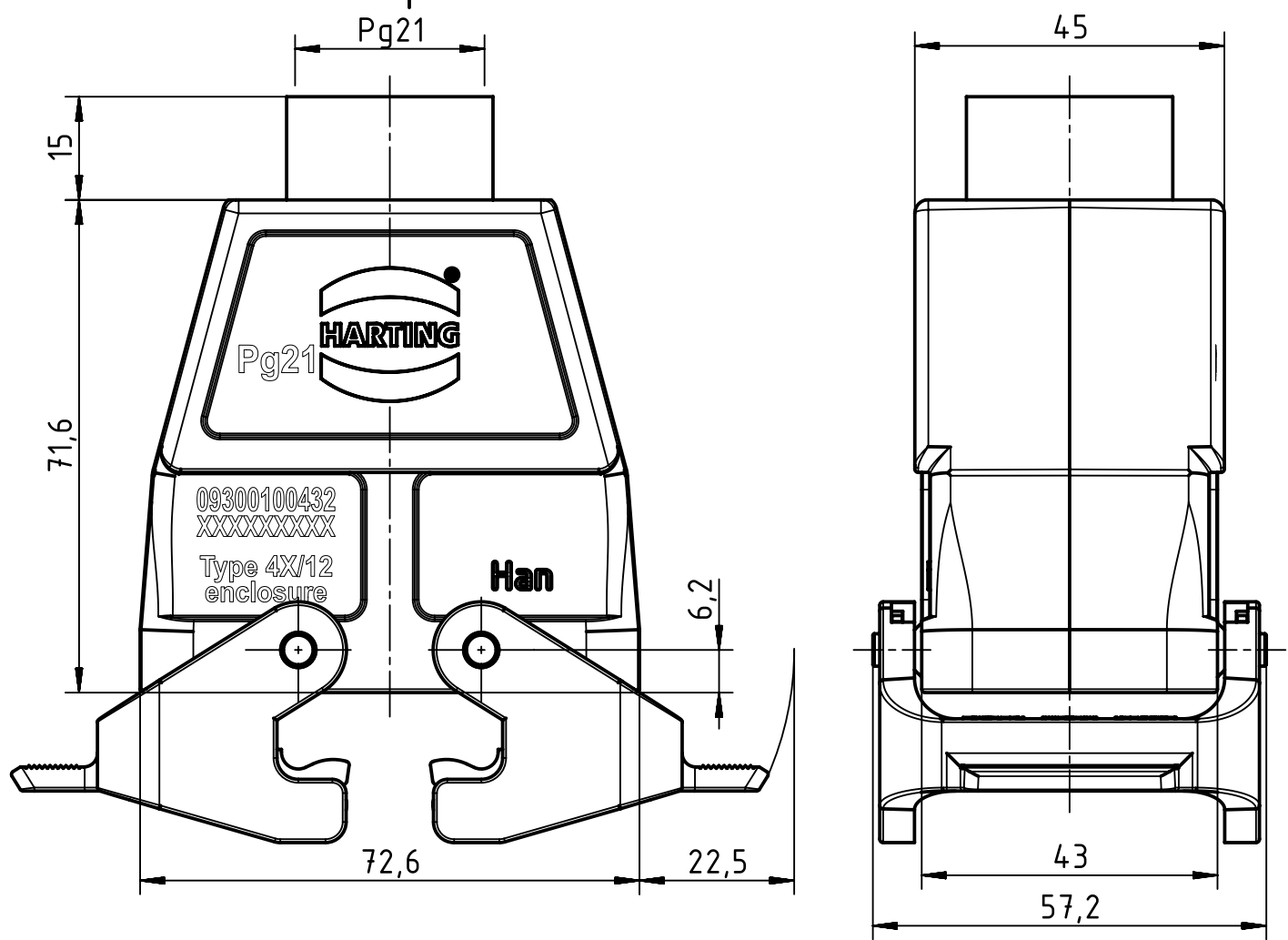


1 2 3 4 5 6

A  
B  
C  
D



	All Dimensions in mm Original Size DIN A4		Scale 1:1	Free size tol.		Ref.	
						Sub.	
	All rights reserved		Created by SPRENB	Inspected by GERB	Standardisation RUETERA	Date 2020-02-28	State Final Release
	Department EL PD		Title Han B Hood Top Entry HC 2 Levers PG 21				Doc-Key / ECM-Nr. 100230684 / UGD / 002 / D 500000163147
HARTING Electric GmbH & Co. KG D-32339 Espelkamp			Type TB	Number 09 30 010 0432		Rev. D	Page 1/1