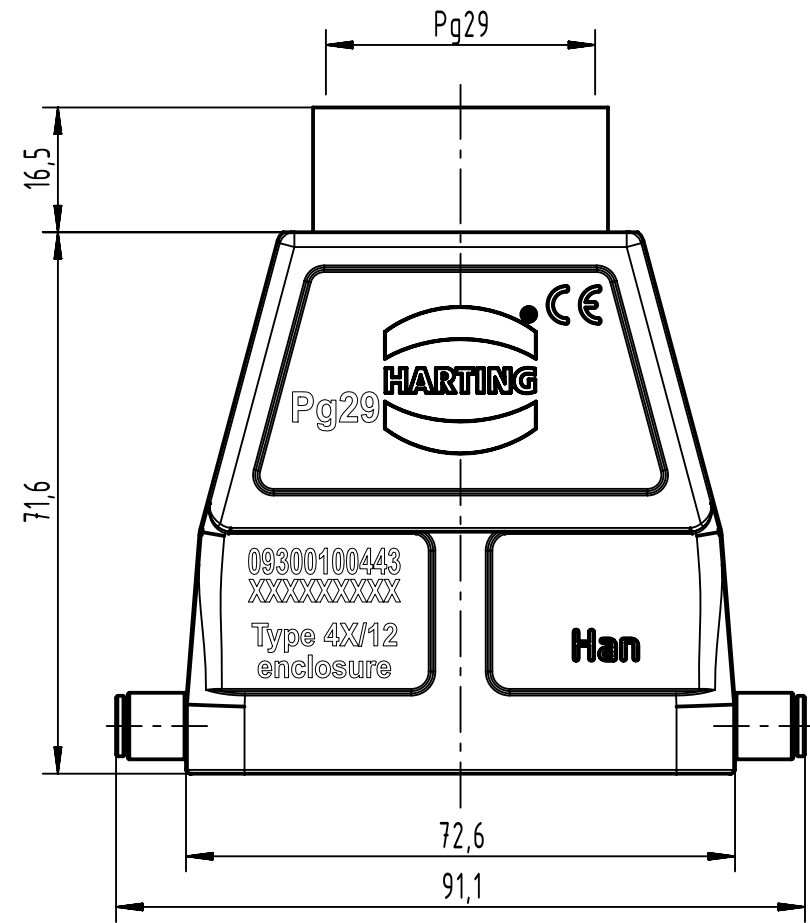
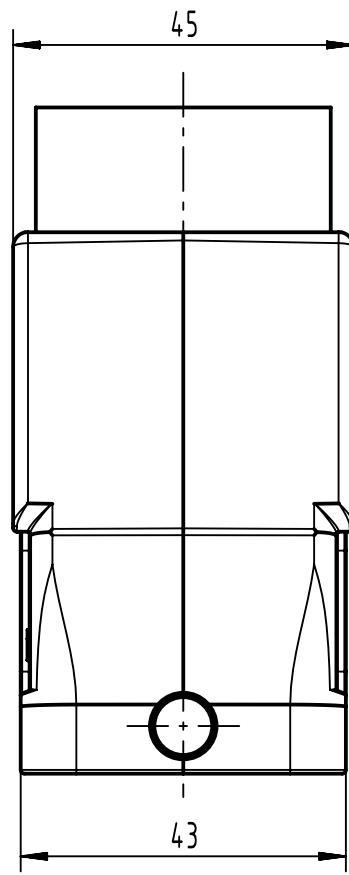
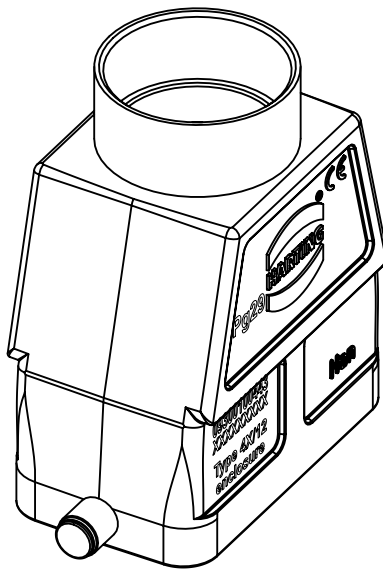


1 2 3 4 5 6

A
B
C
D



| | | | | | | |
|-------------------|--|--|--|--------------------------|-----------------|--|
| | All Dimensions in mm Original Size DIN A4 | | Scale 1:1 | Free size tol. | | Ref. |
| | | | | | | Sub. |
| | All rights reserved | | Created by MEYERLE | Inspected by GERB | Standardisation | Date 2021-10-18 |
| | Department EL PD | | | | | State Final Release |
| HARTING | | | Title Han B Hood Top Entry HC 2 Reels PG 29 | | | Doc-Key / ECM-Nr. 100229097/UGD/002/E 500000203864 |
| D-32339 Espelkamp | | | Type TB | Number 09 30 010 0443 | | |
| | | | | | | Page 1/1 |