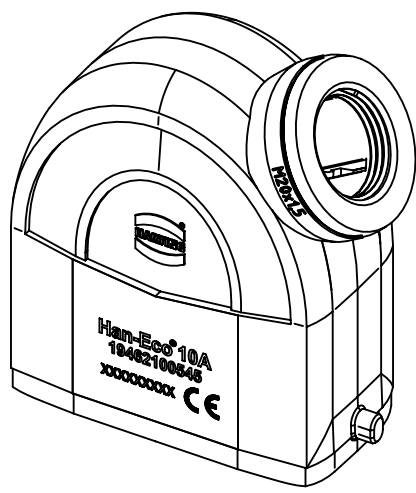
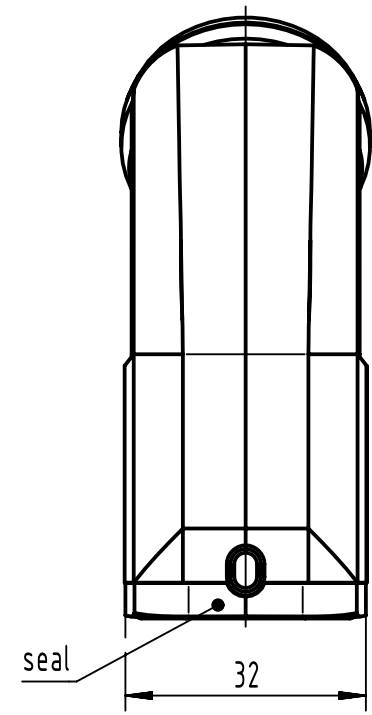
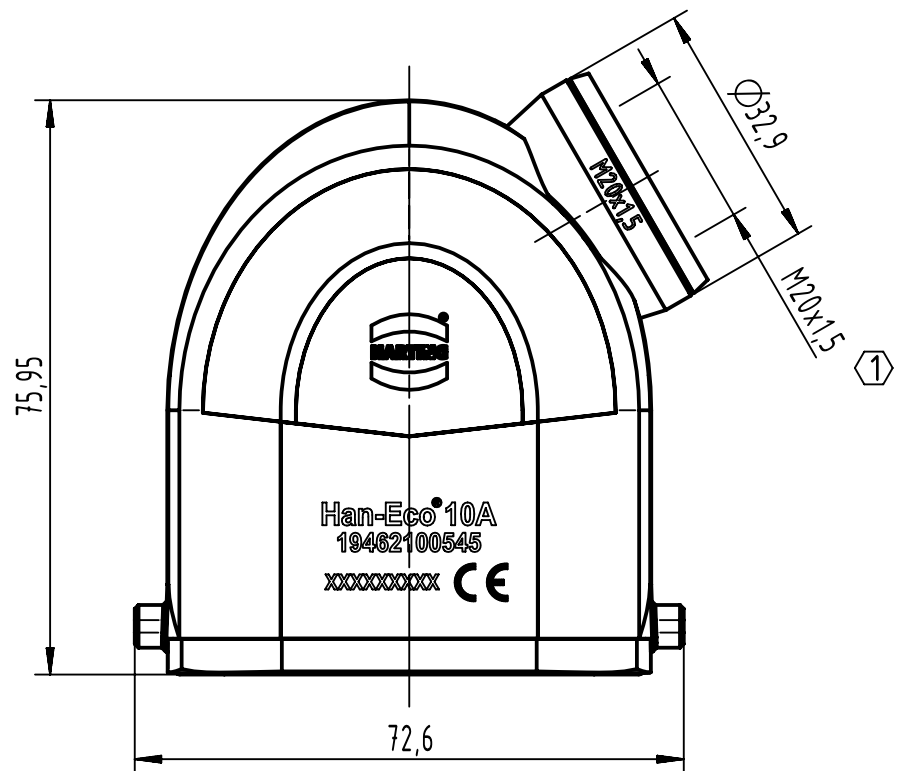


A

B

C

D



① tightening torque max. 7Nm

	All Dimensions in mm Original Size DIN A4	Scale	Free size tol.		Ref.
		1:1			Sub.
	All rights reserved Department EL PD	Created by	Inspected by	Standardisation	Date
		102700	SUNDERMEIER		2021-08-12
HARTING D-32339 Espelkamp		Title			State
		Han-Eco Outdoor 10A-HSE-M20			Final Release
		Type	Number	Doc-Key / ECM-Nr.	
		TB	19 46 210 0545	100613054/UGD/001/C 500000200802	
					Rev.
					C
					Page
					1/1